

## Linux AI IP PVM with Smart AD

Let's Deploy via CMS!



CMS For ADs Bulk Deploy



IP&AD



Full IP



Full AD



Switch

NVR



### **OUR UNIQUES vs All MARKET IP PVM**

1. One IP Solution Manage No-latency IP Video & Multimedia Play Together;
2. 3 Working Modes Settable via Web or CMS: Full Screen IP/Full Screen AD/Half Screen AD&IP;
3. Video Digital Pan Technology (PBP)
4. Multimedia Files Bulk Upload & Deploy via IPC Web, or via CMS to Unlimited PVMs in one Shot;
5. Logo/Deterrence Message/Audio Bulk Upload & Deploy via IPC Web or CMS(PIP)
6. IPC Config Files Export & Import, Save Installation Time;
7. Wi-Fi & RJ45 Connection;
8. Emergency Alarm on All Linked PVMs, PVMs Switch to Play Emergency Picture/Video;
9. Time Switch Schedule Freely Settable via IPC Web or CMS, CCTV Monitoring Non-Stop;
10. Built-in Max 1TB TF Slot for Remote Recording.

### **CONCLUSIONS**

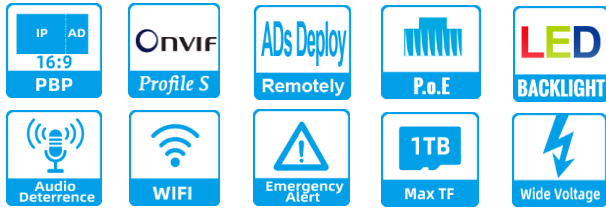
Linux AI IP PVM with Smart AD can be regarded a special IP Camera that has multimedia function, we open more customizable functions to users for their various application demands!

#### Contact Gago

- Address: No.66, Minxin Road, Dalingshan Town, Dongguan (523000)
- Gago Keep the Right of Specification Changes without Notice

## MODELS WE MAINLY OFFER

We offer various sizes with different lens to meet the market demands.



## Video Digital Pan



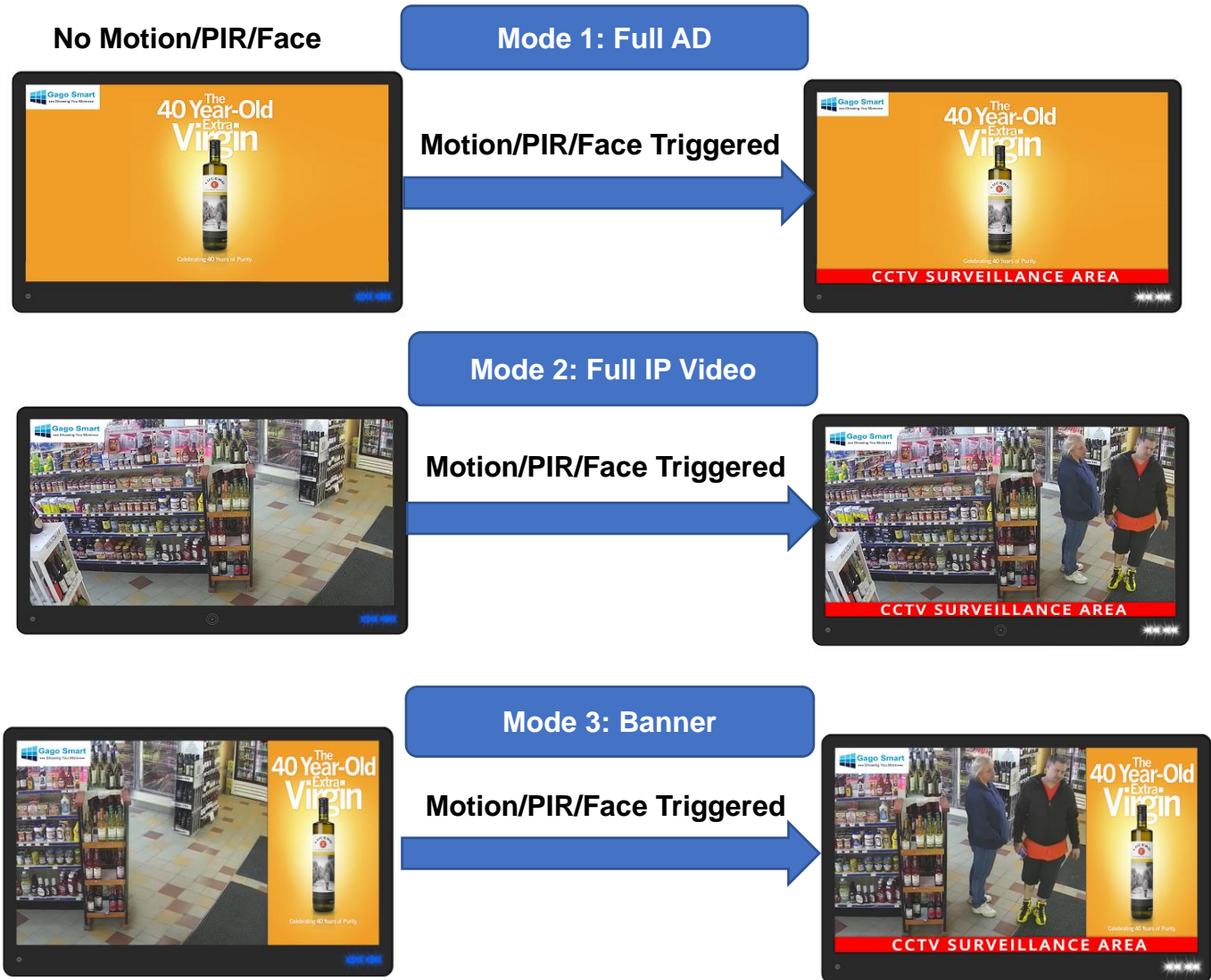
Model Number		SA2PVM080	SA2PVM101	SA2PVM215	SA2PVM270	SA2PVM320	SA2PVM270M	SA2PVM320M	
<b>Display</b>	Screen Size	8"	10.1"	21.5"	27"	31.5"	27"	31.5"	
	Resolution	1280x800	1280x800	1920x1080	1920x1080	1920x1080	1920x1080	1920x1080	
	Brightness	250cd/m2							
	Contrast Ratio	1000:1	1000:1	3000:1	3000:1	3000:1	3000:1	3000:1	
	Viewing Angle	170/170	170/170	178/178	178/178	178/178	178/178	178/178	
	Display Color	16.7M							
	Response Time	16ms	<16ms	8ms	8ms	8ms	8ms	8ms	
<b>Light</b>	Led Light	YES (Blue and White, White Light Work When Alert Triggered)							
<b>Built-in NDAAI PC</b>	Solution	2MP CMOS+5MP NDAAI CHIPSET							
	EMMC	8GB							
	DDR	1GB							
	Lens	3.3mm (No Image Distortion)					AF 2.8-12mm		
	H.264&265	YES							
	Onvif	YES(Main Stream NVR&VMS)							
	Web Browser	IE, Chrome, Firefox, Safari (We prefer Chrome)							
	AI Function	Face Detection							
	PIP/PBP	Yes, Support PIP&PBP							
	Video Digital Pan	YES							
	PIR Sensor	YES							
	Recording	Motion/Video Blind/Face/PIR Detection							
	TF Card Slot	Yes, 1TB Max for Remote Recording							
	Warn Message	Yes, Editable Picture Based Pop-up							
	Voice Broadcast	Yes, Editable and Pop-up When Face/PIR/Motion/Alarm In Triggered							
	Speaker	Built-in, 3Wx2(8"/10.1" is 3Wx1)							
	Wi-Fi	2.4GHz, Auto On							
	USB	Type C							
Multimedia	Image: JPG/PNG/BMP/GIF; Video: MP4/MKV/MOV; Video Code: H.264/265, Audio Code: aac/ac3/pcm								
Display Modes	Full AD/Full IP Video/AD+IP Video								
Emergency Mode	Support								

## Contact Gago

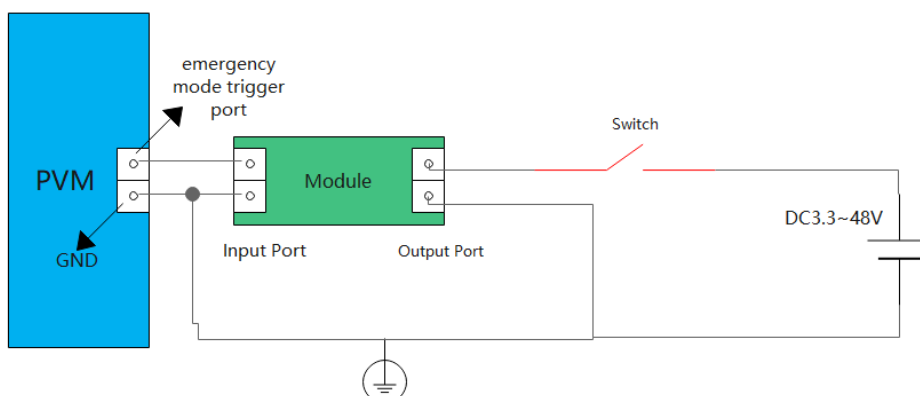
- Address: No.66, Minxin Road, Dalingshan Town, Dongguan (523000)
- Gago Keep the Right of Specification Changes without Notice

	Video Output	RJ 45(10/100 Base-T)							
<b>General</b>	Dimension	211x170x25	251x199x25	519.6x353.2x40	654x422x40	752x481x40	654x422x40	752x481x40	
	Weight	1.2KG	1.6KG	5KG	12KG	14KG	13KG	15KG	
	VESA Size	75x75mm	75x75mm	100x100mm	100x100/200x200mm				
	Operation Temp.	0~ 50°C							
	Power	DC12-36V&POE			DC9-36V&POE				

## LINUX IP PVM DISPLAY MODES



## LINUX IP PVM EMERGENCY ALERT



### Contact Gago

- Address: No.66, Min
- Gago Keep the Right of Specification Changes without Notice

## LINUX IP PVM WEB DESIGN-----Audio Volume

**WEB MENU** [Preview] [BackUp] [Settings]

**Config Media** Audio Video Image OSD

Network Alarm Config Record System Intelligence PVM Function

I Frame Interval: 50 (FPS)(1-150)

**Sub Stream**

Frame Rate: 25  
Codec: H265  
Bitrate Mode: VBR  
Resolution: 640\*360(mHD)  
Video quality: Better  
Video Rate: 512 (Kbit)(36-2048)

I Frame Interval: 50 (FPS)(1-150)

**Audio**

Audio Enable:   
Codec: G711U  
Output Level: 5

[Save]

激活 Windows  
转到设置以激活 Windows。

## LINUX IP PVM WEB DESIGN-----Wi-Fi Config

**WEB MENU** [Preview] [BackUp] [Settings]

**Config Media** TCP/IP DDNS Client Email FTP RTSP **WIFI**

Network Alarm Config Record System Intelligence PVM Function

Enable:   
SSID: test  
Password: .....  
Connection Status: Connected  
IP Address: 192.168.10.15  
SubMask: 255.255.255.0  
Broadcast: 192.168.10.255  
MAC Address: c4:3c:b0:51:49:75

[Save] [WIFI Scan]

**WIFI List**

No.	SSID	Signal Level
-----	------	--------------

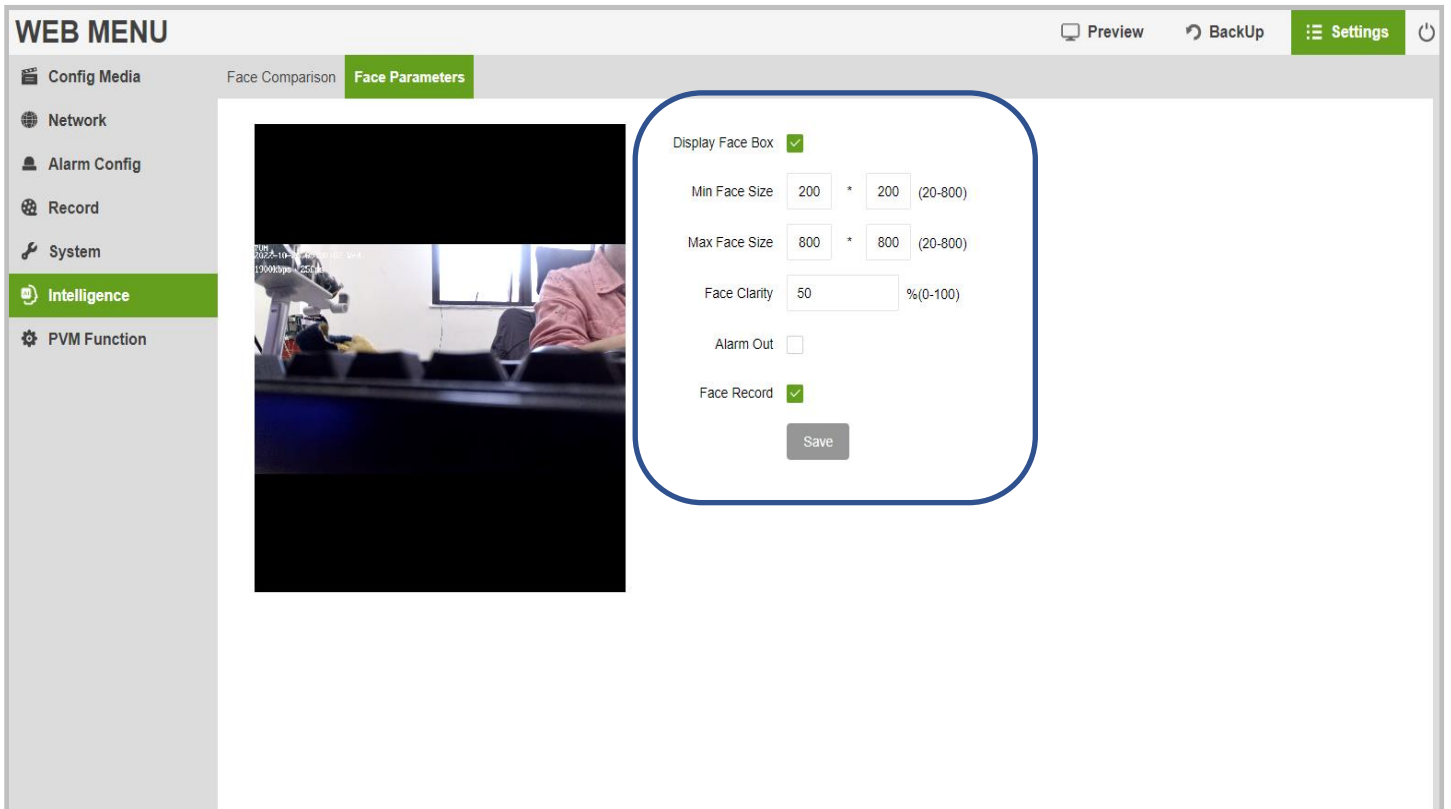
### Contact Gago

- Address: No.66, Minxin Road, Dalingshan Town, Dongguan (523000)
- Gago Keep the Right of Specification Changes without Notice

## LINUX IP PVM WEB DESIGN-----Config File Download & FW Upgrade



## LINUX IP PVM WEB DESIGN-----AI Face Detection



### Contact Gago

- Address: No.66, Minxin Road, Dalingshan Town, Dongguan (523000)
- Gago Keep the Right of Specification Changes without Notice

## LINUX IP PVM WEB DESIGN-----Logo & Deterrence Message & Audio

**WEB MENU** Preview BackUp Settings

Config Media **Banner** Ad LCD Config

Network

Alarm Config

Record

System

Intelligence

**PVM Function**

**Brand Image**

Enable

PosX

PosY

Width

Height

Upload  Select File

**Deterrence Message**

Always  PIR  Face  Motion  Alarm Input

Upload  Select File

**Audio**

PIR  Face  Motion  Alarm Input

Upload  Select File

Save

## LINUX IP PVM WEB DESIGN-----Advertisement Play

**WEB MENU** Preview BackUp Settings

Config Media **Banner** **Ad** LCD Config

Network

Alarm Config

Record

System

Intelligence

**PVM Function**

Enable

Clear Advert Confirm

Screen

Upload  Select File

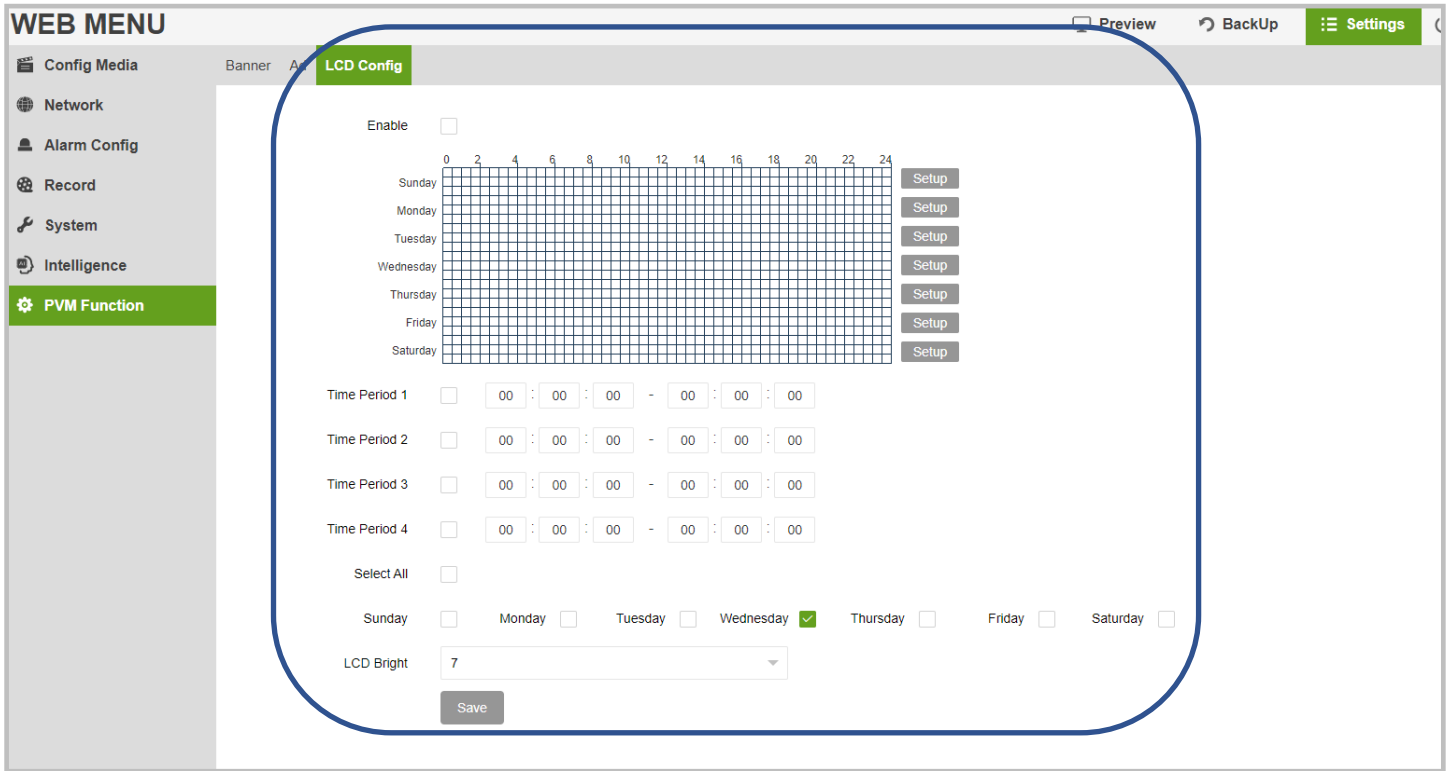
**Play List**

No.	Image/Video	Time Set	Operate
<span>Upload Ad</span>			

### Contact Gago

- Address: No.66, Minxin Road, Dalingshan Town, Dongguan (523000)
- Gago Keep the Right of Specification Changes without Notice

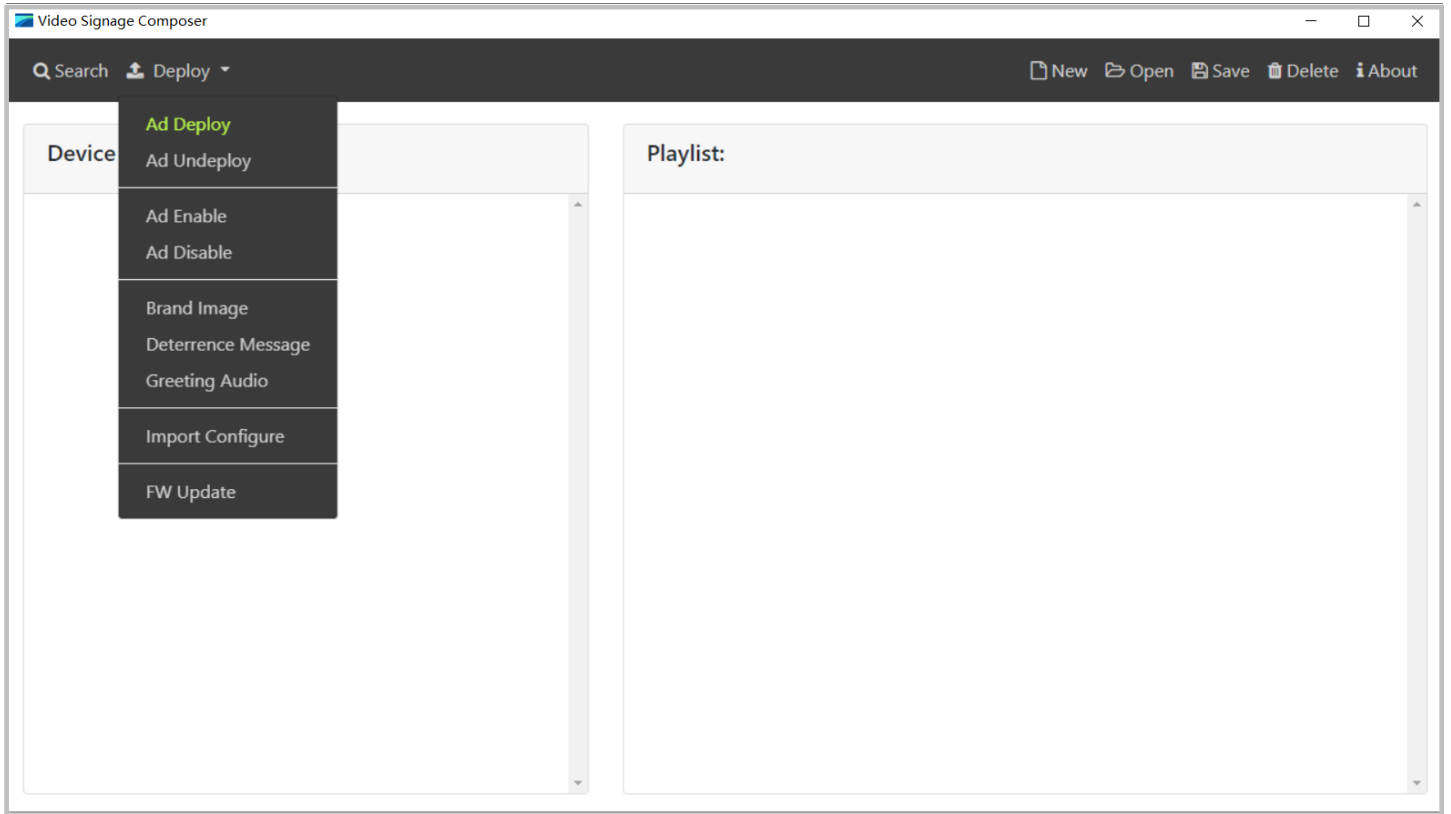
**LINUX IP PVM WEB DESIGN-----LCD Time Schedule & Brightness**



The screenshot shows a web browser window with the title "WEB MENU". The left sidebar contains a menu with items: Config Media, Network, Alarm Config, Record, System, Intelligence, and PVM Function (highlighted in green). The main content area is titled "LCD Config" and includes the following elements:

- An "Enable" checkbox.
- A 24-hour grid for each day of the week (Sunday to Saturday) with "Setup" buttons to the right of each row.
- Four "Time Period" sections, each with a checkbox and a time range selector (HH:MM:SS - HH:MM:SS).
- A "Select All" checkbox.
- Day selection checkboxes: Sunday, Monday, Tuesday, Wednesday (checked), Thursday, Friday, Saturday.
- An "LCD Bright" dropdown menu currently set to "7".
- A "Save" button at the bottom.

**CMS OUTLOOK-----Video Signage Composer**



The screenshot shows the "Video Signage Composer" application window. The interface includes a top menu bar with "Search" and "Deploy" options, and a toolbar with "New", "Open", "Save", "Delete", and "About" icons. The main workspace is divided into two panels:

- Device Panel:** A list of actions for device management, including "Ad Deploy" (highlighted in green), "Ad Undeploy", "Ad Enable", "Ad Disable", "Brand Image", "Deterrence Message", "Greeting Audio", "Import Configure", and "FW Update".
- Playlist Panel:** A large empty area for creating and managing video playlists.

**Contact Gago**

- Address: No.66, Minxin Road, Dalingshan Town, Dongguan (523000)
- Gago Keep the Right of Specification Changes without Notice